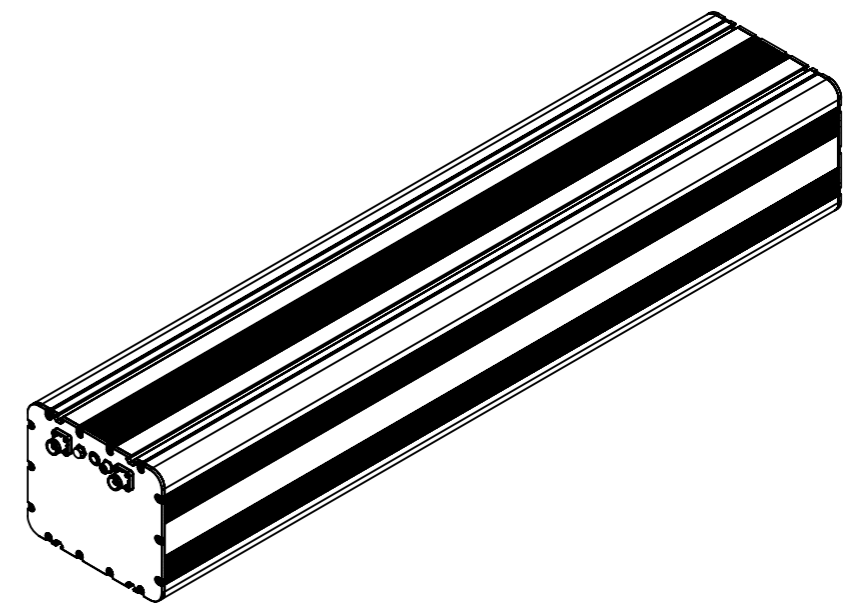
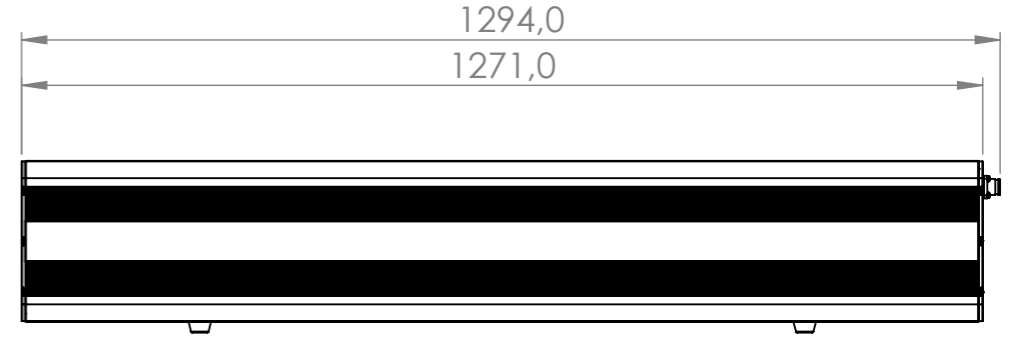
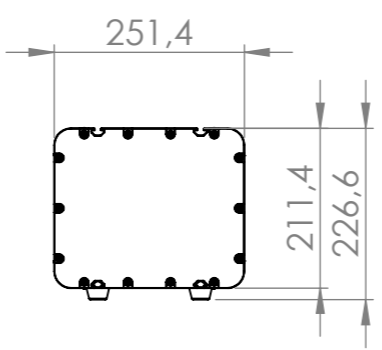


Power Vent
Positive
Communication
Negative



Description: IONBASE Lithium Battery 48V 13600Wh				
Client		Project number:		
Drawn:		Drawing number		A3
Status:	SHEET 1 OF 1	Units: mm	Scale: 1:10	DATE: 25/01/2024
				Version: DATE

REV.	DESCRIPTION	DATE	Name	APPROVED
REVISION				